



ACM-7411

Megapixel IP Rugged Dome Camera

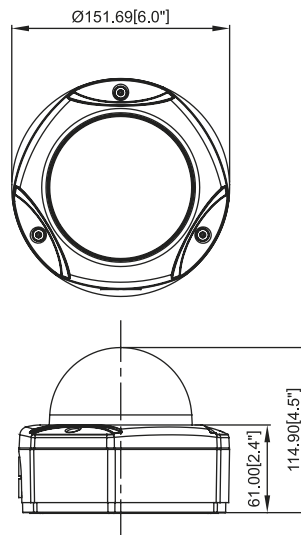


- 1/3" Micron Progressive Scan CMOS
- Day and night function with Mechanical IR Cut Filter
- Integrated f3.3~12 mm / F1.6 Megapixel lens
- 0.05 Lux at F1.0
- Selectable MPEG-4 / MJPEG compression
- Up to SXGA resolution at 8 FPS
- Multi-stream with variable frame rate in the same compression
- Two-way audio supported
- Hardware motion detection, Digital Input/Output
- DC 12 V or Power over Ethernet (IEEE 802.3af) supported
- Heavy-duty, weatherproof and vandal proof with IP66 protection
- Surface, flush and wall mount supported

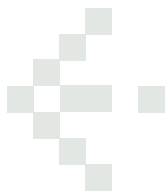


- ① Ethernet Port
- ② DC 12 V Power Input
- ③ Reset Button
- ④ Audio & DIO Input / Output

DIMENSION DIAGRAM



Unit: mm [inch]



PRODUCT SPECIFICATION

		ACM-7411
Image	Device	Micron Progressive Scan CMOS
	Size	1/3 inch
	Effective Pixels	1280 x 1024
Min. Scene Illumination	Color	Color mode automatically switched to B/W mode under 4 Lux
	B/W	0.05 Lux at F1.0 (2400 °K, 30 IRE)
	CDS Sensor	Yes
	IR Sensitivity	from 700nm to 1100 nm
Lens	Lens	f3.3 ~ 12 mm / F1.6
	Viewing Angle	89.8° ~ 23.9° (Horizontal)
Camera Angle Adjustment	X (Panning)	0° ~360°
	Y (Tilting)	0° ~180°
	Z (Rotating)	0° ~360°
Synchronization	Sync. System	Internal
Day/Night Functions	Mechanical IR Cut Filter	Yes
Functions	Motion Detection	Yes (3 Windows)
	Electronic Shutter	1/5 ~ 1/2,000 sec. (60Hz); 1/5 ~ 1/2,000 sec. (50Hz)
	Flickerless	1/120 sec. (60Hz); 1/100 sec. (50Hz)
	BLC	Yes
	AGC	Automatic (User definition)
	White Balance	AUTO, INDOOR1, INDOOR2, OUTDOOR1, OUTDOOR2, HOLD CURRENT, MANUAL
S/N Ratio	S/N Ratio	Better than 44 dB
Video Compression	Compression	MPEG-4 SP, MJPEG selectable
	Picture Resolution	SXGA (1280x1024); HD720 (1280x720); VGA (640x480); QVGA (320 x 240); QQVGA (160 x 112)
	Bit Rate	28K ~ 3M bps
	Image Frame Rate	8 fps at SXGA; 10 fps at HD720; 30 fps at VGA; 30 fps at QVGA; 30 fps at QQVGA
Audio Input	Compression	8kHz, Mono, PCM
	Audio Line Input	Unbalanced, 1.4Vp-p, 1Vrms, terminal block
Audio Output	Compression	8kHz, Mono, PCM
	Audio Line Output	Unbalanced, 1.4Vp-p, 1Vrms, terminal block
Alarm	Digital Input	1, terminal block
	Transistor Output	1, terminal block
External I/O	Reset Button	Factory default
Casing	IP66 Rated	Weatherproof casing with IP66 standard
	Vandal Proof	Vandal proof supports, durability up to 619.3 KgF
	Mount Types	Surface / Flush / Wall
Network	Ethernet	Ethernet (10/100 Base-T), RJ45 Connector
	Protocol	TCP, UDP, IP, HTTP, DHCP, PPPoE, RTP, RTSP, FTP, SMTP, DNS, DDNS, NTP, ICMP, IGMP, ARP, 3GPP
Software	Web Browser	Microsoft Internet Explorer 6.0 or above
	SDK	ACTi SDK-10000
	Security	Password protection: configured by the administrator
Operating	Heater / Fan	Yes (built-in)
	Temperature	-30 °C ~ 50 °C (-22 °F ~ 122 °F) for DC 12 V; -5 °C ~ 50 °C (7 °F ~ 122 °F) for PoE
Power	Power Requirement	PoE (IEEE802.3af) with Class 3
	Power Consumption	3.4 W (DC 12 V) w/o Heater & Fan 13.2 W (DC 12 V) w/ Heater ON & Fan ON * 4.4 W (PoE) w/o Heater & Fan
Physical	Dimensions (WxHxD)	151.69 mm x 114.9 mm (6.0" x 4.5")
	Weight	1040 g

* PoE cannot support Heater and Fan.

ORDERING INFORMATION

Model Name	Description
ACM-7411	Megapixel IP Rugged Dome

Distribué par :



266, avenue Daumesnil
75012 PARIS
Tél: 01 46 58 83 00
Fax: 01 46 58 86 00

ACCESSORY OPTIONS

- Wall mount kit R695-00019-001
- Flush mount kit R695-00020-000



R695-00019-001



R695-00020-000

* All specifications are subject to change without notice.
* All brand names and registered trademarks are the property of their respective owners.